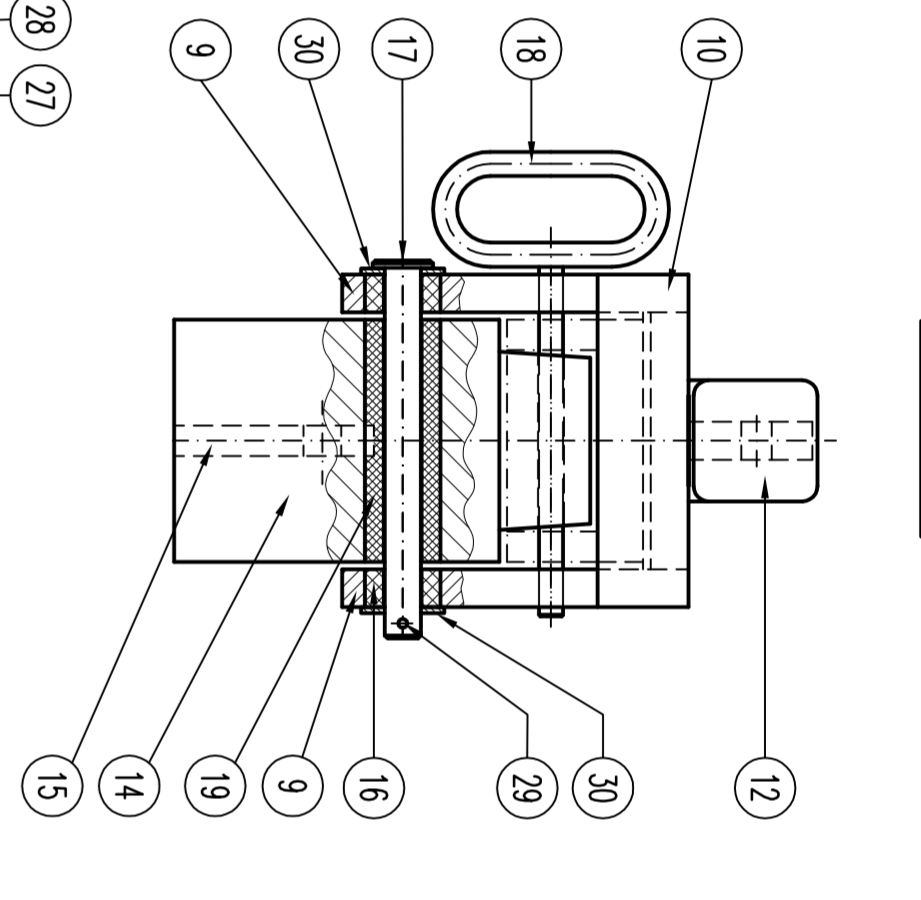


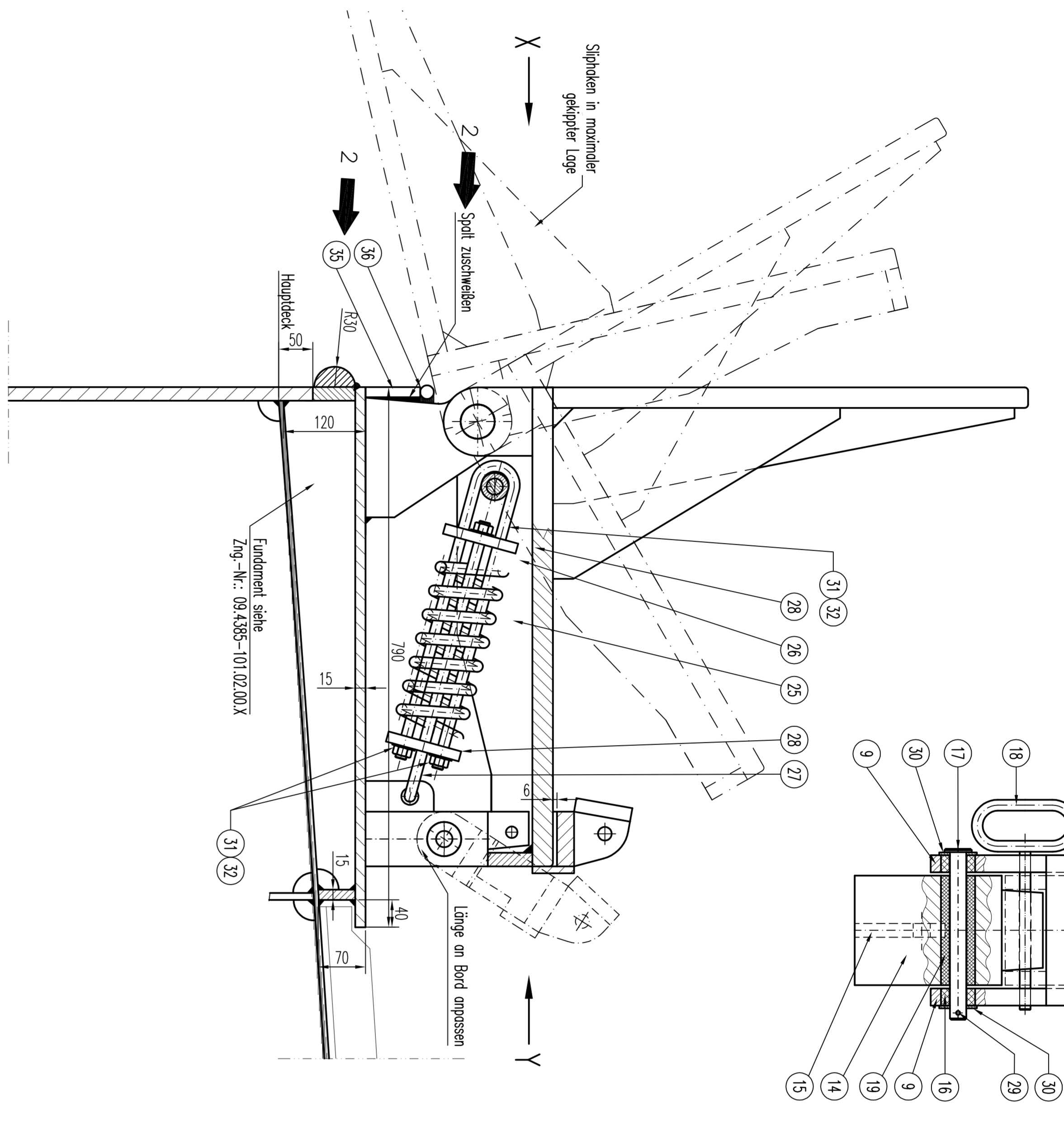
Stückliste für 1 Tomensiphöcken

Pos. Stck.	Benennung	Bemerkung
1	Flan 80x20mm Lx30mm	Metall: S235 AR
2	Flan 80x20mm Lx30mm	Metall: S235 AR
3	Flan 100x10mm Lx25mm	Metall: S235 AR
4	Flan 100x10mm Lx25mm	Metall: S235 AR
5	Flan 100x10mm Lx25mm	Metall: S235 AR
6	Flan 100x10mm Lx25mm	Metall: S235 AR
7	Flan 100x10mm Lx25mm	Metall: S235 AR
8	Flan 80x20mm Lx30mm	Metall: S235 AR
9	Flan 80x20mm Lx30mm	Metall: S235 AR
10	Flan 80x20mm Lx30mm	Metall: S235 AR
11	Flan 80x20mm Lx30mm	Metall: S235 AR
12	Flan 80x20mm Lx30mm	Metall: S235 AR
13	Flan 80x20mm Lx30mm	Metall: S235 AR
14	Flan 80x20mm Lx30mm	Metall: S235 AR
15	Flan 80x20mm Lx30mm	Metall: S235 AR
16	Flan 80x20mm Lx30mm	Metall: S235 AR
17	Flan 80x20mm Lx30mm	Metall: S235 AR
18	Flan 80x20mm Lx30mm	Metall: S235 AR
19	Flan 80x20mm Lx30mm	Metall: S235 AR
20	Flan 80x20mm Lx30mm	Metall: S235 AR
21	Flan 80x20mm Lx30mm	Metall: S235 AR
22	Flan 80x20mm Lx30mm	Metall: S235 AR
23	Flan 80x20mm Lx30mm	Metall: S235 AR
24	Flan 80x20mm Lx30mm	Metall: S235 AR
25	Flan 80x20mm Lx30mm	Metall: S235 AR
26	Flan 80x20mm Lx30mm	Metall: S235 AR
27	Flan 80x20mm Lx30mm	Metall: S235 AR
28	Flan 80x20mm Lx30mm	Metall: S235 AR
29	Flan 80x20mm Lx30mm	Metall: S235 AR
30	Flan 80x20mm Lx30mm	Metall: S235 AR
31	Flan 80x20mm Lx30mm	Metall: S235 AR
32	Flan 80x20mm Lx30mm	Metall: S235 AR
33	Flan 80x20mm Lx30mm	Metall: S235 AR
34	Flan 80x20mm Lx30mm	Metall: S235 AR
35	Flan 80x20mm Lx30mm	Metall: S235 AR
36	Flan 80x20mm Lx30mm	Metall: S235 AR

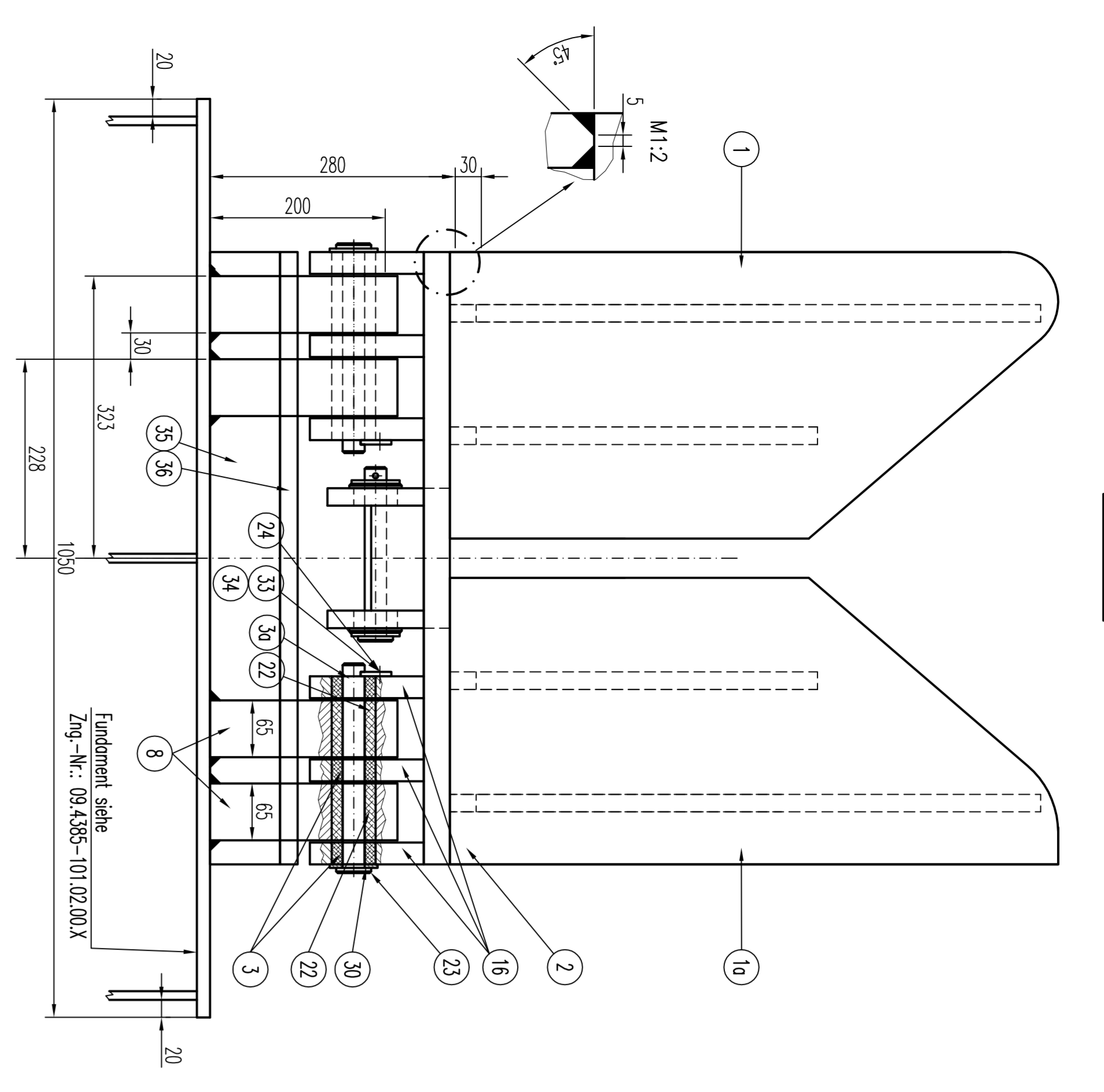
Ansicht Y



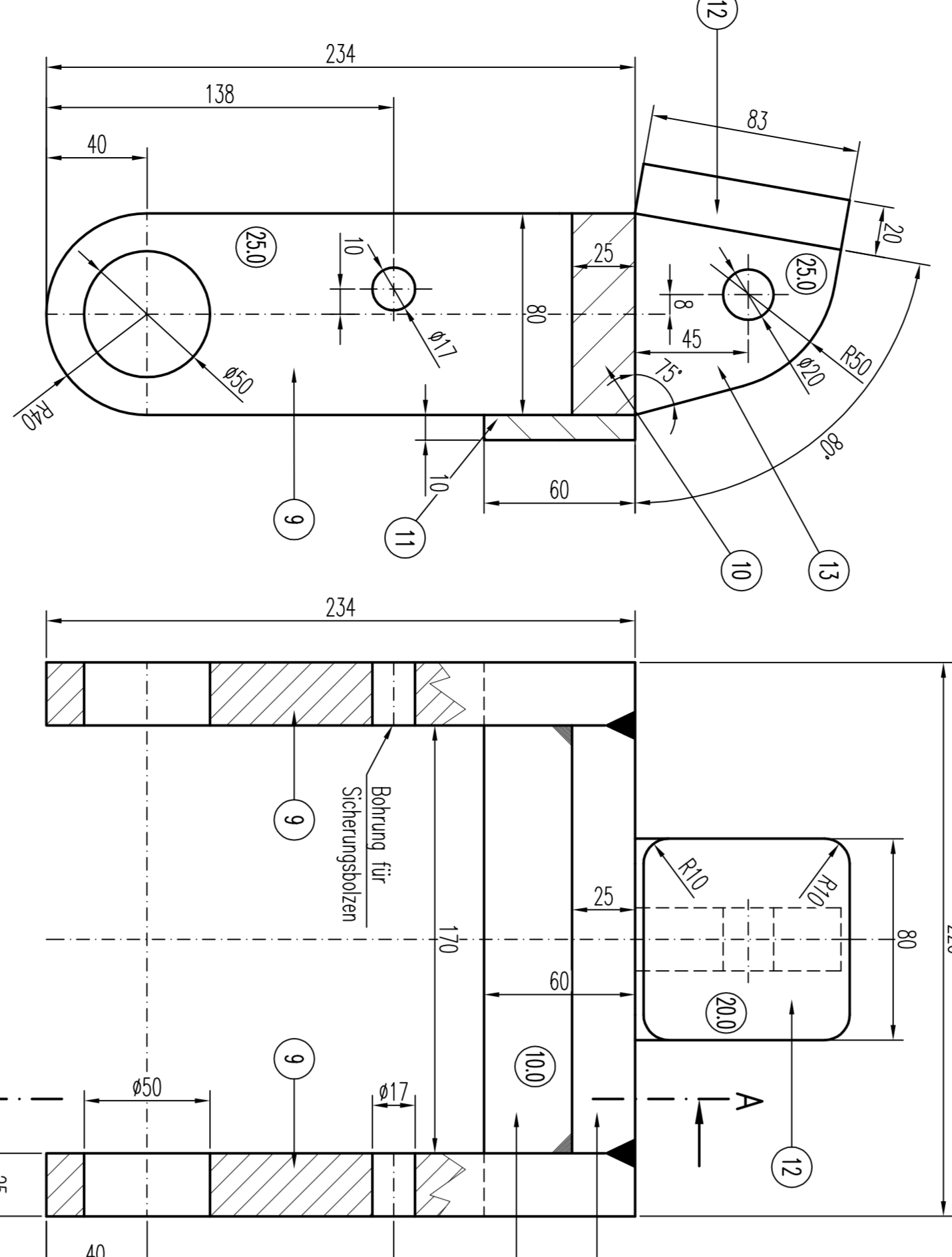
Zusammenstellung Tomensiphöcken



Ansicht X

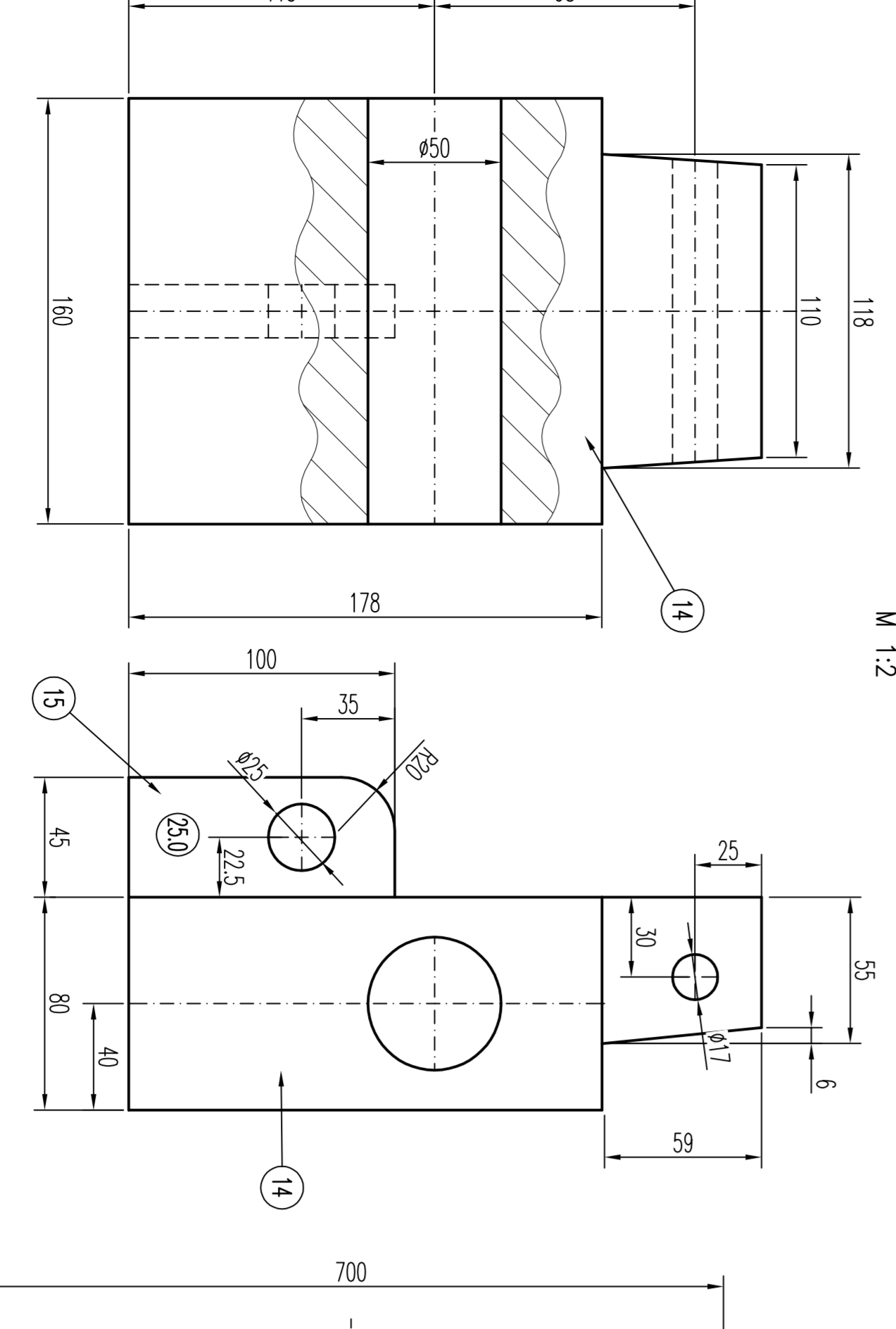


Schnitt A-A

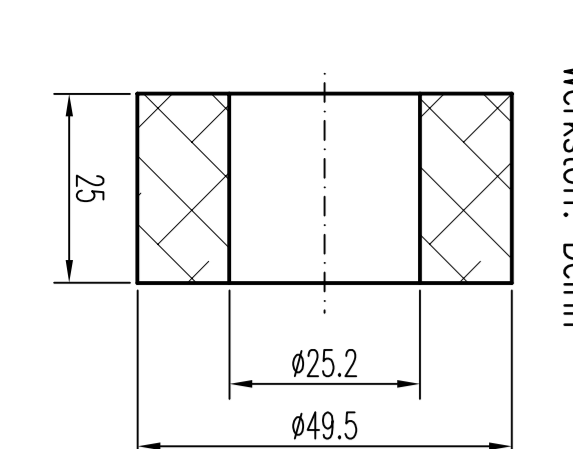


Gelenkkabel

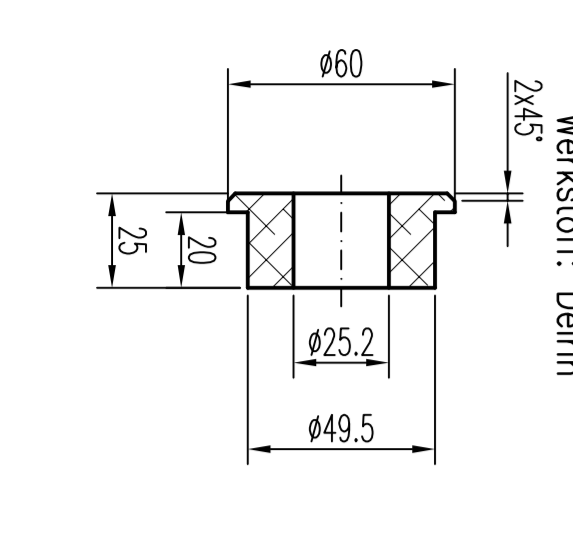
Gegengelenk



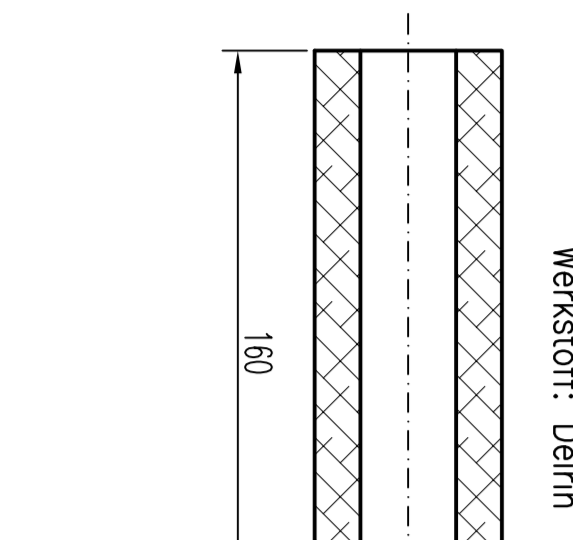
Position 16 (8 Stck.)



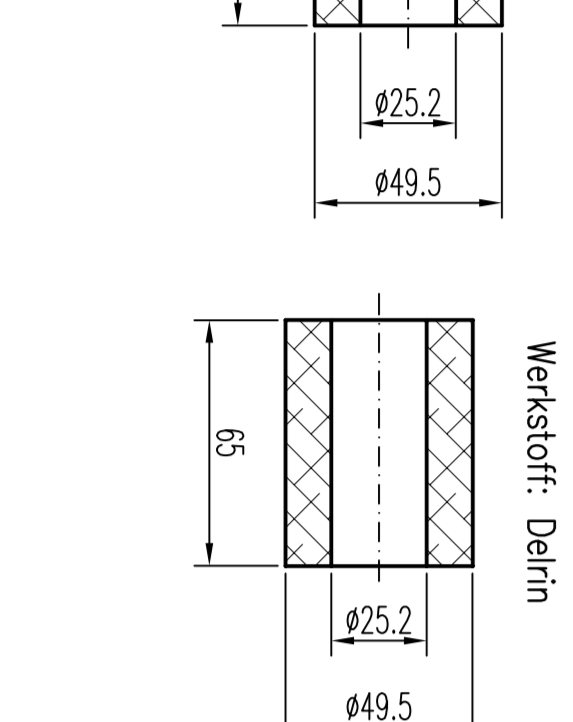
Position 20 (2 Stck.)



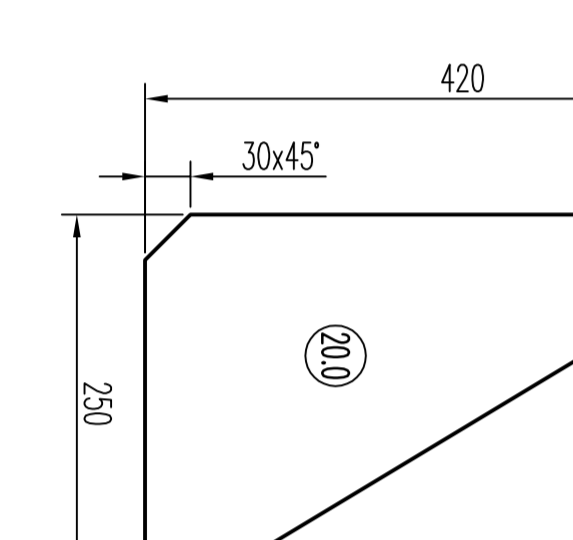
Position 19



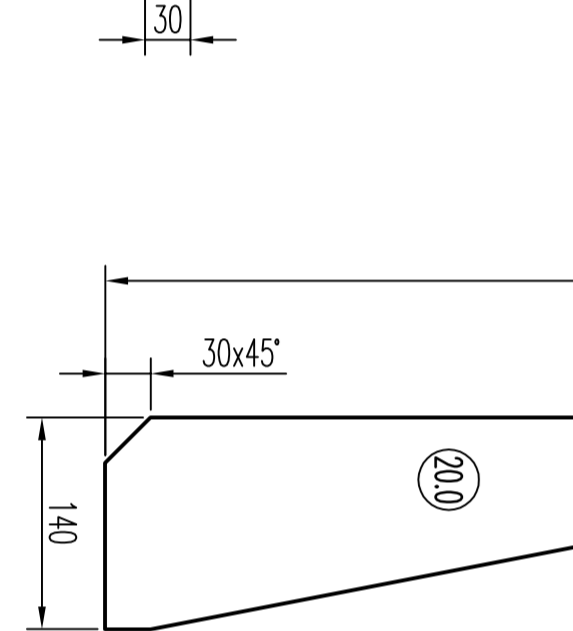
Position 22 (4 Stck.)



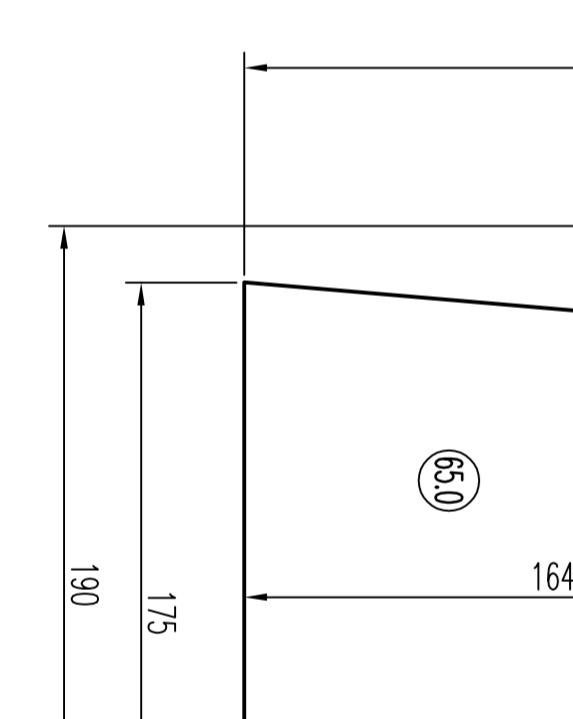
Position 4



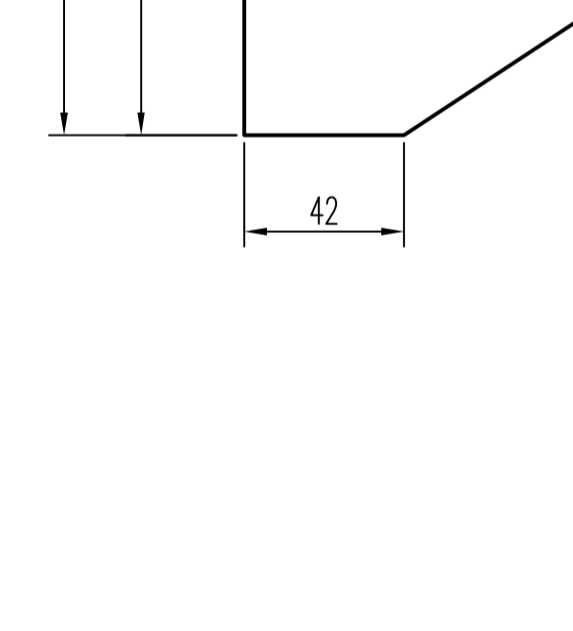
Position 5



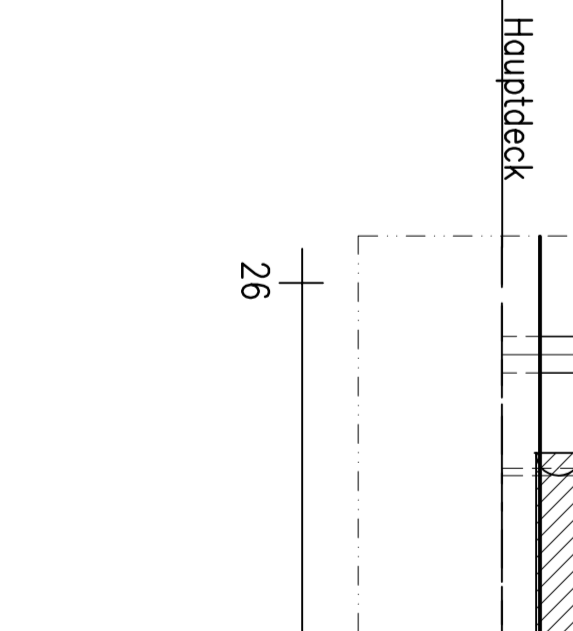
Position 8 (4 Stck.)



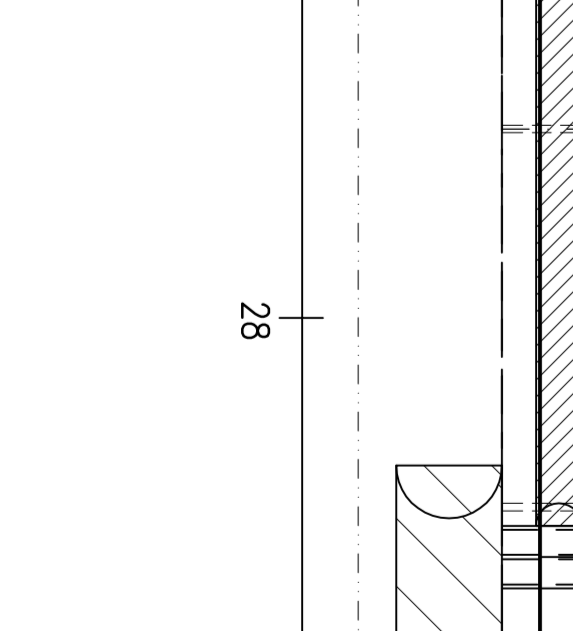
Position 26 und 27



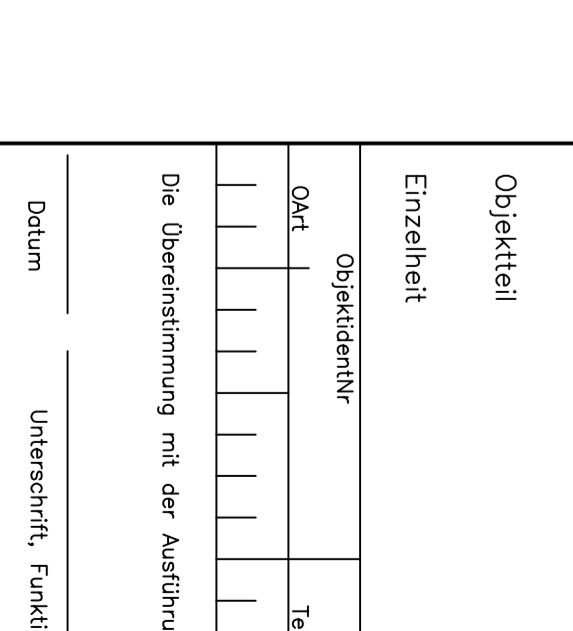
Position 18



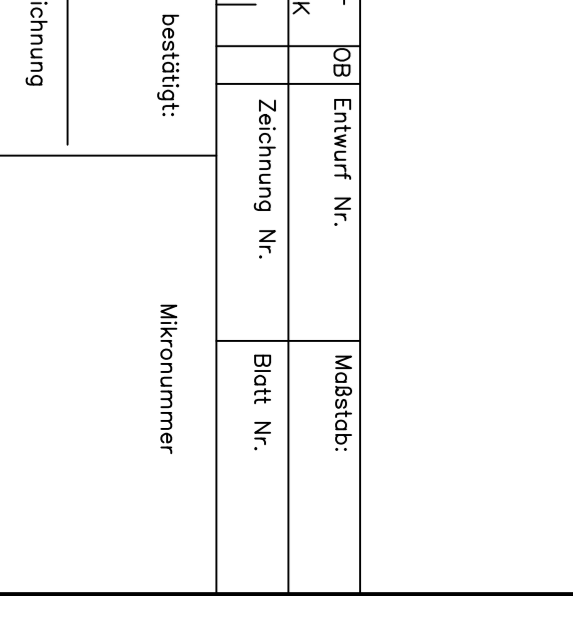
Position 21



Position 17

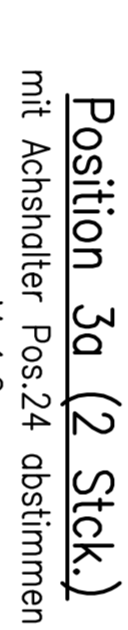


Position 23 (2 Stck.)



Position 3a (2 Stck.)

mit Achsteile Pos.24 abstimmen



Position 25

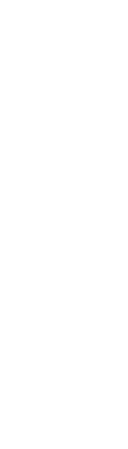


Position 28 (2 Stck.)



Position 24 (2 Stck.)

mit Pos. 3a abstimmen



Position 12



Position 3



Position 1

Position 1a

Position 2

Position 3a

Position 6 (2 Stck.)

Schnitt B-B

Position 23

Position 18

Position 21

Position 17

Position 23 (2 Stck.)

Position 18

Position 21

Position 17

Position 23 (2 Stck.)

Position 18

Position 21

Position 17

Position 23 (2 Stck.)

Position 18

Position 21

Position 17

Position 23 (2 Stck.)

Position 18

Position 21

Position 17

Position 23 (2 Stck.)

Position 18

Position 21

Position 17

Position 23 (2 Stck.)

Position 18

Position 21

Position 17

Position 23 (2 Stck.)

Position 18

Position 21

Position 17

Position 23 (2 Stck.)

Position 18

Position 21

Position 17

Position 23 (2 Stck.)

Position 18

Position 21

Position 17

Position 23 (2 Stck.)

Position 18

Position 21

Position 17

Position 23 (2 Stck.)

Position 18

Position 21

Position 17

Position 23 (2 Stck.)

Position 18

Position 21

Position 17

Position 23 (2 Stck.)

Position 18

