



PRODUCTS

SHIBATA**FENDER****TEAM**

▶ | on the safe side



V Fenders.

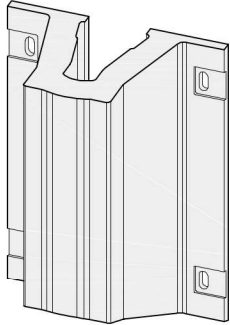
Characteristics

- ▶ Suitable for a wide range of applications
- ▶ Very robust, durable and requires low maintenance
- ▶ High shear resistance in the longitudinal direction
- ▶ Can be installed both, vertically and horizontally
- ▶ Suitable for turning dolphins & pivot points

Typical Applications

- ▶ General Cargo Terminals
- ▶ Bulk Terminals
- ▶ Tug Boat Berth
- ▶ Multipurpose Terminals
- ▶ RoRo Ramps
- ▶ Passenger Terminals

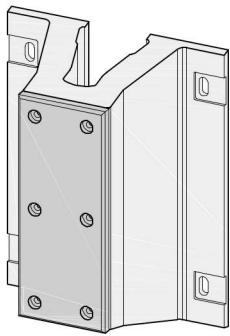
V FENDER DRAWINGS



SX FENDER



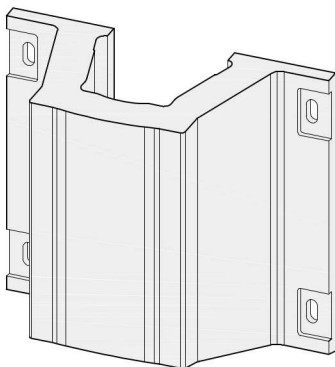
Ferry & RoRo Terminal | Kapellskär | Sweden



SX-P FENDER



Waterland Terminal | Amsterdam | The Netherlands



SH FENDER

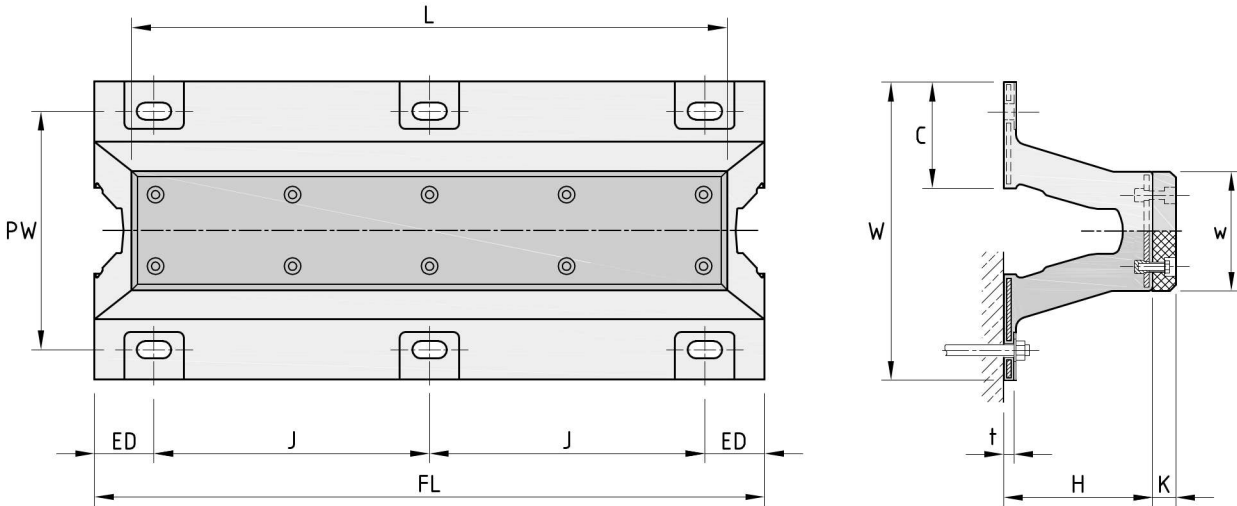


Turning Dolphin | Muuga | Estonia

SX-P FENDER DIMENSIONS

Fender Size	H [mm]	W [mm]	w [mm]	t [mm]	C [mm]	PW [mm]	K [mm]	Anchors/ Bolts	PE Bolts
SX-P 250	250	500	200	18	178	400	40	M24	M16
SX-P 300	300	600	240	23	213	480	40	M30	M20
SX-P 400	400	800	320	27	285	640	40	M36	M20
SX-P 500	500	1,000	400	29	358	800	50	M36	M24
SX-P 600	600	1,200	480	34	425	960	50	M42	M24
SX-P 800	800	1,500	640	38	520	1,300	60	M48	M30
SX-P 1000	1,000	1,800	800	47	610	1,550	80	M48	M36

SX-P FENDER DRAWING



Margate Bridge | Margate City, NJ | USA

AVAILABLE STANDARD LENGTHS

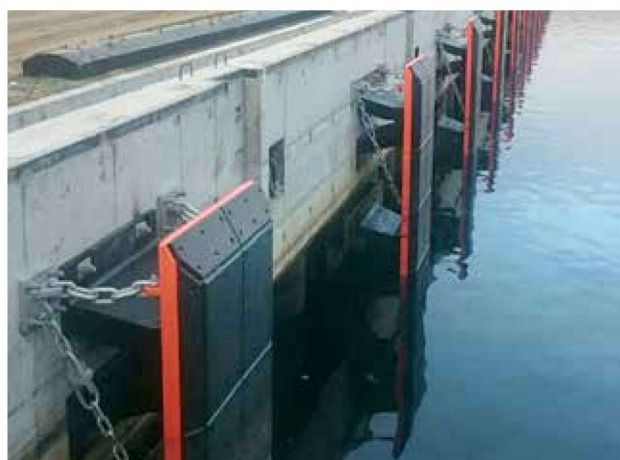
Fender Size	L [mm]	ED [mm]	J [mm]	FL [mm]	An-chors	Weight [kg]
SX-P 250	1,000	113	1 x 900	1,125	4	102
	1,500	113	2 x 700	1,625	6	150
	2,000	118	3 x 630	2,125	8	198
	2,500	113	3 x 800	2,625	8	246
	3,000	113	4 x 725	3,125	10	294
	3,500	113	5 x 680	3,625	12	343
SX-P 300	1,000	125	1 x 900	1,150	4	140
	1,500	125	2 x 700	1,650	6	204
	2,000	130	3 x 630	2,150	8	269
	2,500	125	3 x 800	2,650	8	334
	3,000	125	4 x 725	3,150	10	398
	3,500	125	5 x 680	3,650	12	464
SX-P 400	1,000	150	1 x 900	1,200	4	230
	1,500	150	2 x 700	1,700	6	333
	2,000	155	3 x 630	2,200	8	437
	2,500	150	3 x 800	2,700	8	541
	3,000	150	4 x 725	3,200	10	645
	3,500	150	5 x 680	3,700	12	749
SX-P 500	1,000	175	1 x 900	1,250	4	369
	1,500	175	2 x 700	1,750	6	531
	2,000	180	3 x 630	2,250	8	693
	2,500	175	3 x 800	2,750	8	856
	3,000	175	4 x 725	3,250	10	1,018
	3,500	175	5 x 680	3,750	12	1,181
SX-P 600	1,000	200	1 x 900	1,300	4	524
	1,500	200	2 x 700	1,800	6	748
	2,000	205	3 x 630	2,300	8	972
	2,500	200	3 x 800	2,800	8	1,198
	3,000	200	4 x 725	3,300	10	1,422
SX-P 800	1,000	250	1 x 900	1,400	4	916
	1,500	250	2 x 700	1,900	6	1,291
	2,000	255	3 x 630	2,400	8	1,665
	2,500	250	3 x 800	2,900	8	2,043
	3,000	250	4 x 725	3,400	10	2,420
SX-P 1000	1,000	300	1 x 900	1,500	4	1,475
	1,500	300	2 x 700	2,000	6	2,048
	2,000	305	3 x 630	2,500	8	2,621
	2,500	300	3 x 800	3,000	8	3,201
	3,000	300	4 x 725	3,500	10	3,775



Passenger Terminal | Sochi | Russia



Ethanol Jetty | Stenungsund | Sweden



Bulk Terminal | Murmansk | Russia